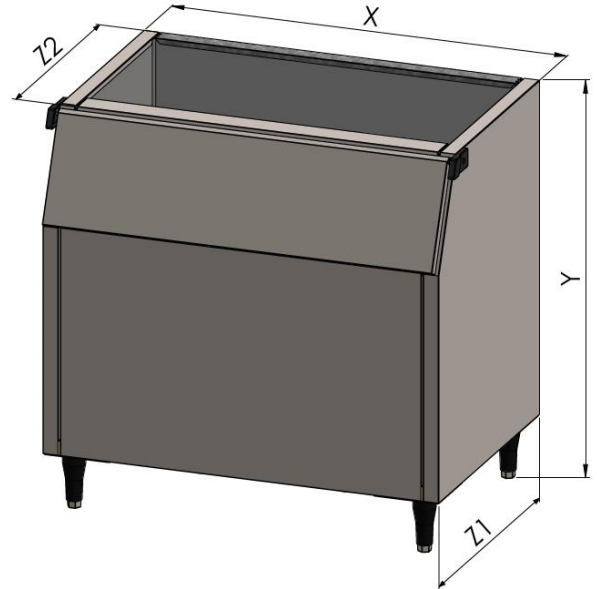


# ICE STORAGE BIN

## SPECIFICATION SHEET



### STANDARD FEATURES

- ✓ High Density 40mm Polystyrene Insulation
- ✓ Interior: 304 Stainless Steel
- ✓ Exterior: 430 Stainless Steel
- ✓ Exterior Back: Galvanized Steel
- ✓ Exterior Bottom: Galvanized Steel
- ✓ 42mm Drain Outlet
- ✓ Stainless Steel EN10204 Certified
- ✓ Adjustable Foot Piece
- ✓ Hinged Door

### OPTIONAL EXTRAS

- Adaptor Plate

### SIZE CHART

CODE	DESCRIPTION	HEIGHT (Y)	DEPTH (Z1)	TOP DEPTH (Z2)	WIDTH (X)	CAPACITY
IBN-01-B150	ICE STORAGE BIN	1055 mm (41.5 in)	725 mm (28.5 in)	600 mm (23.6 in)	560 mm (22 in)	125-150 Kg (275-330 lbs) *
IBN-01-B200	ICE STORAGE BIN	1055 mm (41.5 in)	725 mm (28.5 in)	600 mm (23.6 in)	800 mm (31.5 in)	190-220 Kg (418-485 lbs) *
IBN-01-B320	ICE STORAGE BIN	1055 mm (41.5 in)	725 mm (28.5 in)	600 mm (23.6 in)	1070 mm (42.1 in)	260-320 Kg (573-705 lbs) *
IBN-01-B500	ICE STORAGE BIN	1420 mm (55.9 in)	725 mm (28.5 in)	725 mm (28.5 in)	1215 mm (47.8 in)	400-480 Kg (880-1058 lbs) *

\*Capacity depends on cube type

